

Paterson Raftagrab™

For rafter or trusses at a minimum
width of 75mm x 35mm



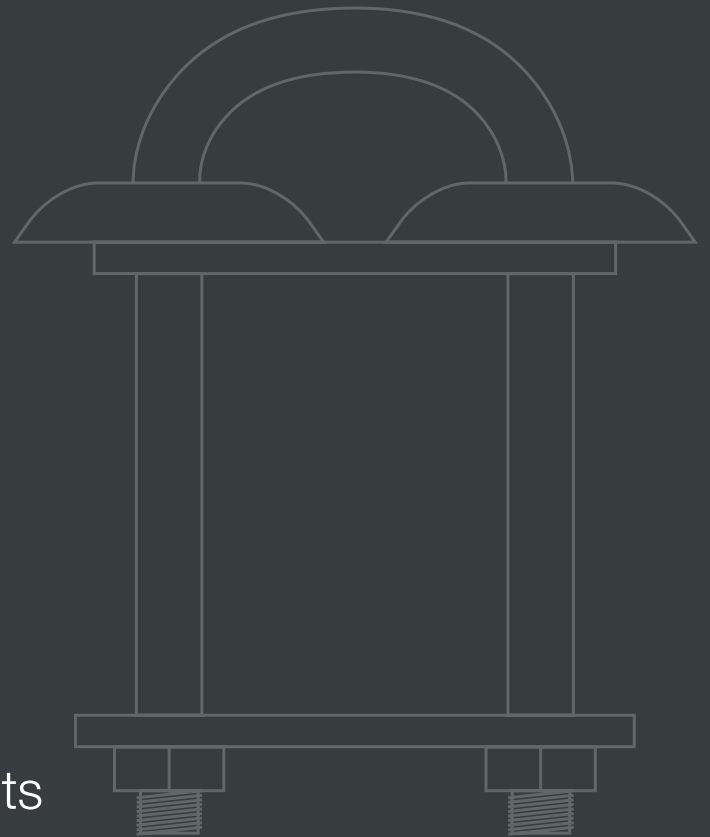
Trusted anchors
Secured for safety

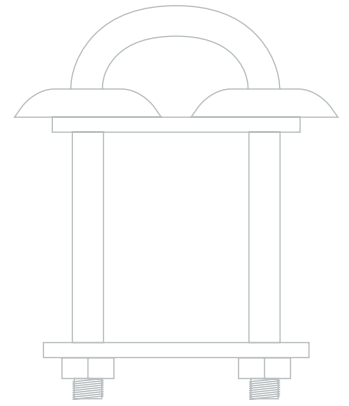


At Paterson Safety Anchors Ltd, we pride ourselves on being a one-stop shop for all your safety needs. We can provide the equipment, installation, and service you need to keep your employees safe.

Component checklist

- 1 stainless steel u-bolt complete with weather seal domes
- 1 off top plate complete with weather seal domes
- 1 off bottom plate (plain with 2 holes)
- 1 off lead slate-piece
- 2 off 1/2" U.N.C. Nyloc nuts

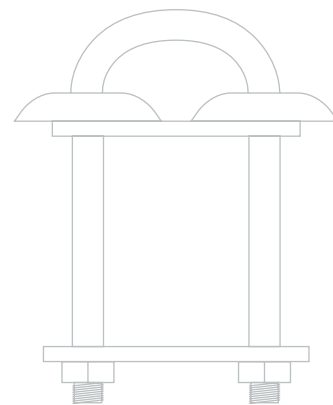




Location

Paterson Raftagrab™ must be fixed to a rafter or truss with a minimum required size of 75mm x 35mm thick on the inclined face of the roof.

N.B. These instructions are only suitable for rafter or trusses at a minimum width of 75mm x 35mm.



Fixing Method

Fixing Method

1.

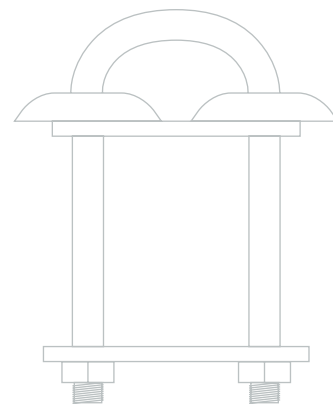
Having determined the desired position, remove several roof slates and locate the rafter or truss, position the top plate at the top of a course of slate ensuring the holes are either side of the rafter or truss. Please refer to **image A**.

2.

Mark and drill through the sarking on either side of the rafter using a 13mm drill. Please refer to **image B**.



N.B. These instructions are only suitable for rafter or trusses at a minimum width of 75mm x 35mm.



Fixing Method

3.

Next place the top plate over the rafter or truss and secure in position with a nail. Please refer to **image C**.

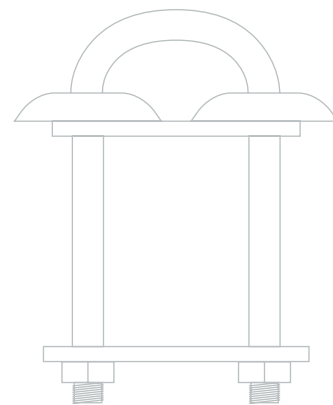


Lay the lead slate-piece flush with the bottom of the next course of slate below the plate, ensuring the plate is central to the lead slate-piece.

4.

Using either a hammer or the palm of your hand hit the lead where the domes of the top plate are to obtain an impression of where to pass the u-bolt through.

N.B. These instructions are only suitable for rafter or trusses at a minimum width of 75mm x 35mm.



Fixing Method

5.

Carefully pierce the lead by placing the u-bolt in position and gently tapping it through the top plate and down through the sarking until the domes of the u-bolt are sitting neatly on the lead. Please refer to **image D**.

6.

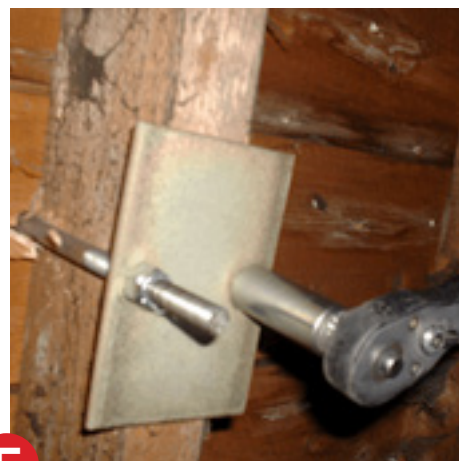
The bottom plate can now be fitted to the underside of the rafter and tightened up using the 1/2" U.N.C. Nyloc nuts until it starts to bend. Please refer to **image E**.



D

7.

Finally cut in the slates around the u-bolt the same way as with say an expansion pipe. Please refer to **image F**.



E



F

Paterson Safety Anchors Ltd is a trusted name in the industry, providing all the safety equipment, installation, and service you need to ensure your employees are safe and able to perform their duties.

We can help you assess the risk and provide the appropriate equipment and installation for your needs.



Contact

T 01418 819 261

E psa.office@patersonsafety.com

Anchor House
18 Muriel Street
Barrhead
Glasgow G78 1QB