

# SUNDIAL C PLAN

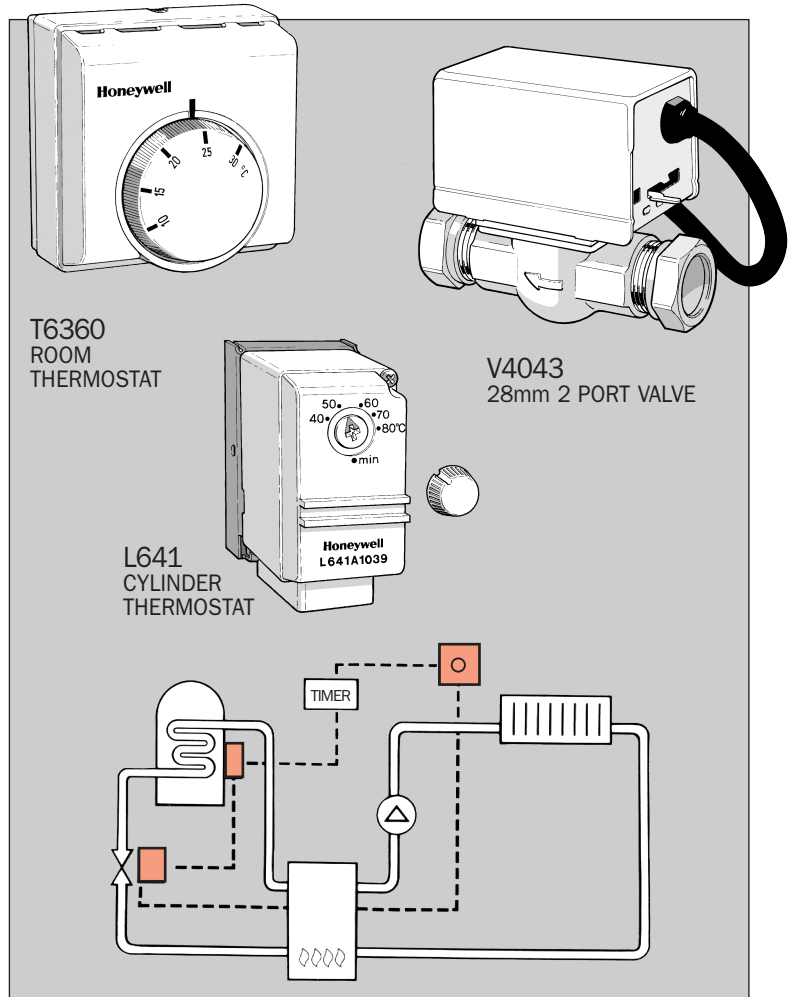
## C PLAN

### FEATURES

- Independent control of heating zone
- Independent control of domestic hot water temperature
- Pump and boiler switched off when space and hot water temperature requirements are satisfied
- Additional heating zones may be provided

### OPTIONS

- Programmable thermostats in heating zone to provide 'Best Practice' system
- Radiator thermostats may be fitted to provide temperature control in selected areas
- CM Zone can provide wireless boiler interlock for individual radiator control



### APPLICATION

The Sundial C Plan is designed to provide independent temperature control of both heating and hot water circuits in existing pumped heating, gravity domestic hot water heating installations.

Time control must be provided by programmer. The control performance satisfies the minimum standard for Building Regulations Part L1, although the gravity hot water system may require upgrading to fully pumped. New systems must be fully pumped, controlled by S, S Plus or Y Plans.

## ■ Installation

**Valve** - The zone valve should be fitted in the DHW primary circuit so that, when closed, it does not close off either the cold feed or vent. It is preferred that the valve is fitted in the return to the boiler.

**Room Thermostat** - The thermostat must be located where not subject to extraneous heat gains, direct sunlight or draughts.

**Cylinder Thermostat** - For optimum performance the thermostat should be located between  $\frac{1}{4}$  and  $\frac{1}{3}$  up the cylinder from the floor.

## ■ Time Control

**Standard Practice** - A 2 channel programmer to control the HW and heating zones.

**Best Practice** - A time switch to control HW and a programmable thermostat for the heating zone.

## ■ Operation

**Heating Only** - On a demand for heat from the room thermostat the pump and boiler are switched on. The zone valve in the DHW primary remains closed.

**Hot Water Only** - On a demand for heat from the cylinder thermostat the valve is energised open. Just before the valve reaches the fully open position, the auxiliary switch closes and switches on the boiler only.

**Heating and Hot Water** - When both thermostats demand heat, the pump and boiler are switched on and the DHW valve is open.

## ■ Specification

### Standard Sundial C Plan comprises:

V4043H1106	: 28mm 2 port zone valve
L641A1039	: Strap-on cylinder thermostat
T6360B1028	: Room thermostat
ST9400C1000	: 7 day full programmer
or	
ST9400A1002	: 1 day full programmer

### Optional components

Y6630D1007	: Wireless analogue room thermostat
T6620B1008	: DT200 digital room thermostat

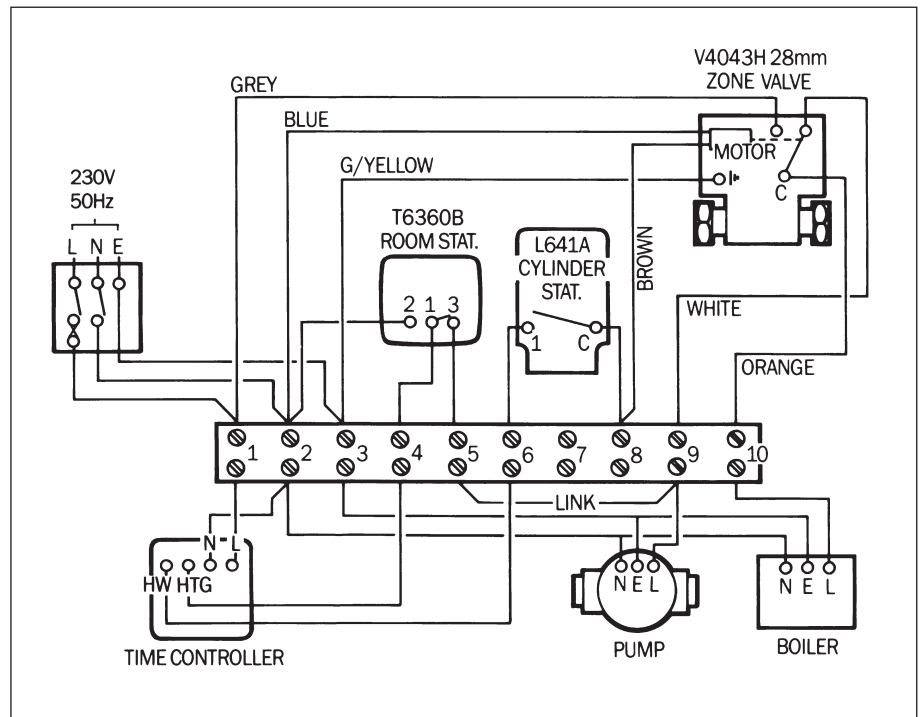
### Best Practice

CMT901A1044	: 1 day programmable thermostat
CMT907A1041	: 7 day programmable thermostat

### Frost protection

T4360A1009	: Frost Thermostat
L641B1004	: Low limit Pipe Thermostat

## ■ Typical Wiring



Note: It is recommended that either the 10 way Junction Box or Sundial Wiring Centre should be used to ensure first time, fault free wiring.