

## Ethernet Module E080-10 Series - V4.16 build 2

The Ethernet Module is an optional add-on for the following Honeywell Control Panel ranges:

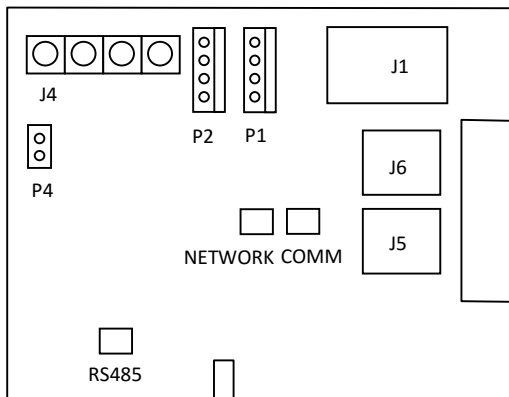
- Galaxy G2
- Galaxy 3 series
- Galaxy Dimension
- Galaxy Flex (V1 only)

The Ethernet module allows Galaxy panels to communicate via local and wide area networks for alarm signalling, remote servicing and integration with other systems. The Ethernet Module connects to 10 Base-T or 100 Base-T Ethernet networks supporting either the UDP/IP or TCP/IP protocols. Each Ethernet module contains a unique Ethernet or MAC address as detailed on a label on the RJ-45 connector.

## Installation instructions

**To install the module:**

1. Ensure that the panel is powered-down.
2. Remove the Ethernet module from its packaging.



3. Install the module in a suitable location within the control panel enclosure.
  - a. On Dimension panels, a mounting plate is available (part no. A303-S). Use the 4 self-adhesive feet supplied to attach to the mounting plate.
  - b. For Galaxy Flex panels, the Ethernet module locates into the module rack nearest to the panel PCB.
  - c. For G2 series panels, use the 4 self-adhesive feet supplied to locate within the control panel enclosure adjacent to the battery.
4. Connect the RS485 data bus and power connections as per table 1. Alternatively an engineer cable can be connected to **P1** or **P2**.
5. Connect the Cat5 Ethernet cable to the Ethernet connector **J1**.
6. Apply power now and check that module is communicating once the panel has configured itself (see Diagnostics section). It will be identified as Comm 4.
7. **J6** and **J5** should not be used.

Ethernet Module	12V	0V	A	B
Control Panel	+12V	GND	A	B

**Table 1 – RS485 data bus connections**

## Configuration

The Ethernet module should configure on the data bus automatically when the system is powered up. If not, refer to the installer manual for the control panel. All configuration of the module is performed via the control panel programming. Refer to the installer manual for control panel for details.

## Diagnostics

Once powered up the following LEDs can be used to check the status of the module.

### LEDs

- NETWORK:** Ethernet network connection (LED on when connected)
- COMM:** Active Ethernet communications. This LED flashes when data is being sent or received by the Ethernet Module
- RS485:** Panel connection status (short flash every second when the connection is good)

## Specifications




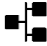
Product Reference	E080-10; <i>E080-xx-10</i>
Service temperature	0 deg to 40 deg C
Storage temperature	-10 deg to +60 deg C
Humidity	25% to 55%
Product weight (PCB)	50g (approx) 2oz
Dimensions (PCB)	Width : 80mm (3.15") Height : 68mm (2.68") Depth : 18 mm (0.71")
Nominal Supply Voltage	12V d.c.
Typical Current	90mA
Maximum Current	135mA

## Compliance

This product is suitable for use in systems designed to comply with EN50131-1:2006+A1:2009 and PD6662: 2010. This module complies with the requirements of EN50136-1:2012 and EN50131-3: 2009+AC:2010  
Independently certified by CNPP, France, to EN50131-3: 2009+AC:2010 and EN50136-1: 2012.

- Security Grade – 4
- Environmental Class – II
- Alarm Transmission System categories SP4 and DP3

## Explanation of symbols

Name	Logo/diagram	Note
WEEE/DEEE		The WEEE symbol. It indicates this product is to be recycling and not been thrown away in a dustbin.
CE		CE compliance logo. This product is in conformity with the relevant European union harmonisation legislation.
EAC		CE equivalence for Russian Federation, Rep of Kazakhstan, and Rep of Belarus.
LAN/WAN		Local and wide area networks connection.