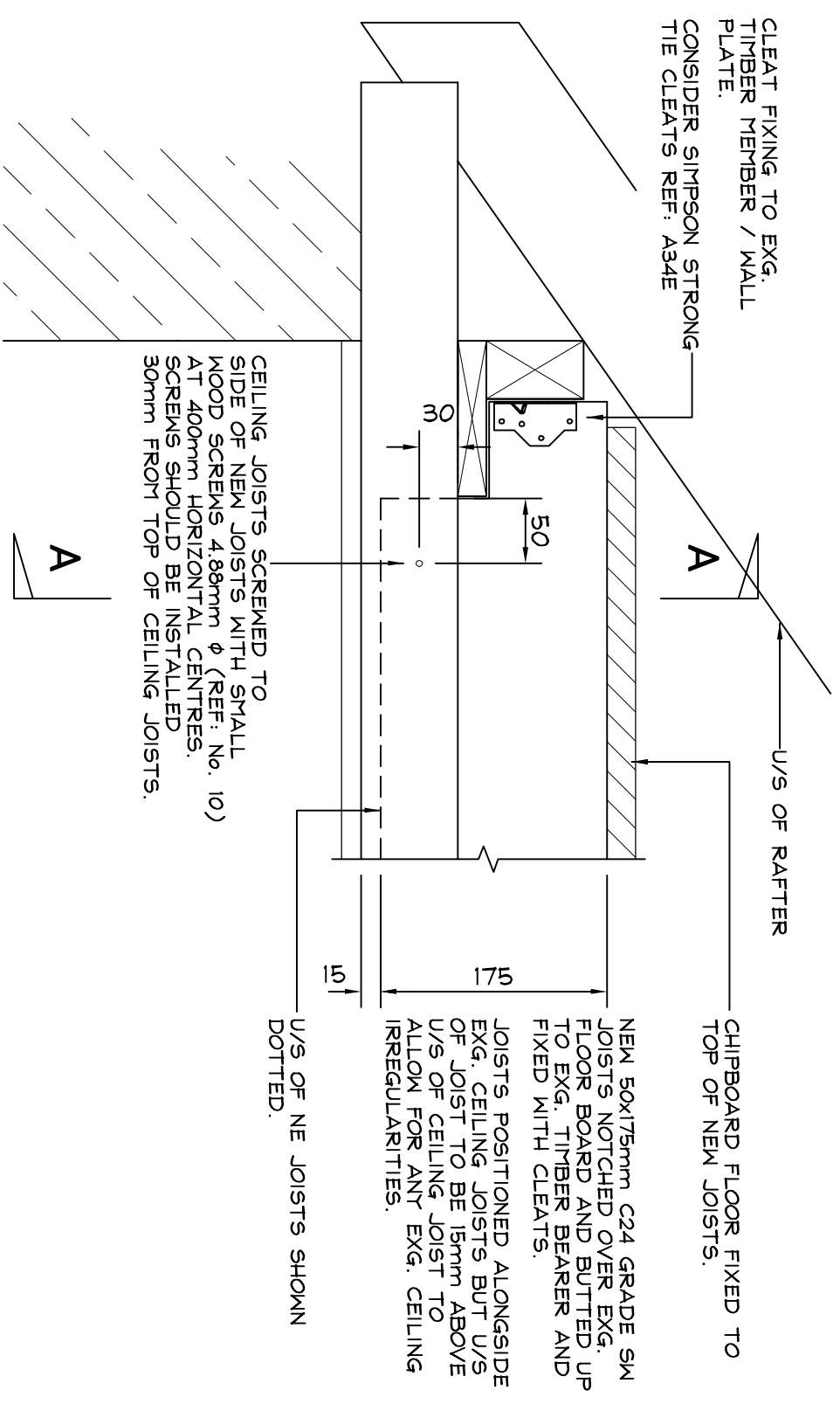
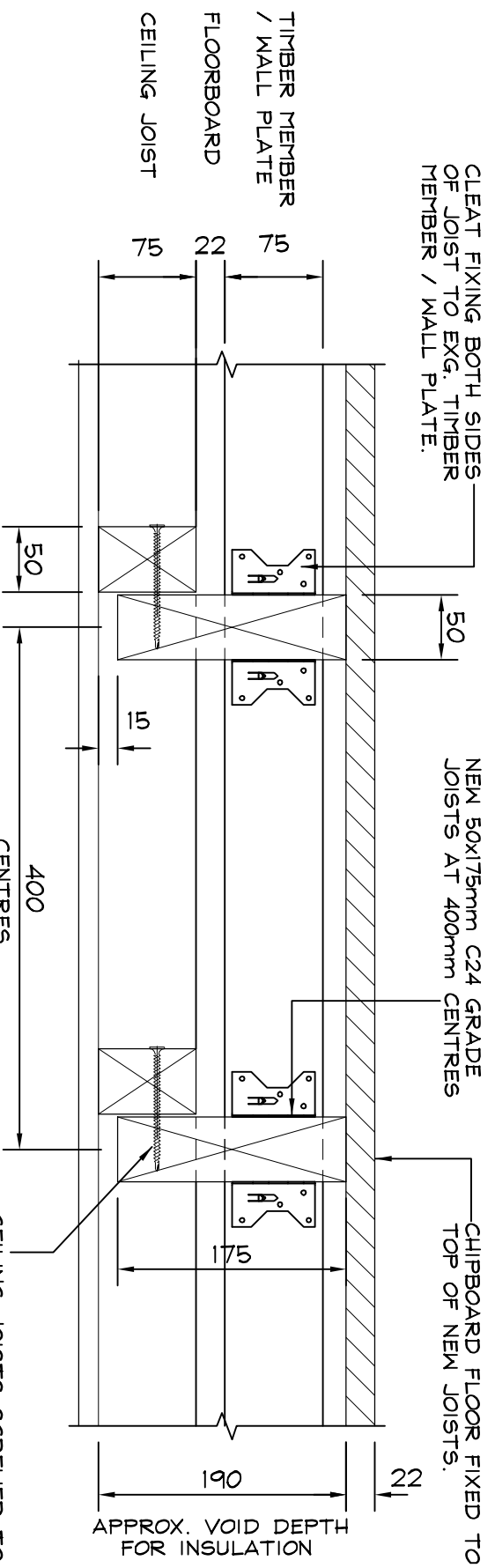


DETAIL 'A'
(INDICATING EXISTING DIMENSIONS)



DETAIL 'A'
(INDICATING PROPOSED JOIST)



SECTION A-A

CEILING JOISTS SCREWED TO SIDE OF NEW JOISTS WITH SMALL WOOD SCREWS 4.8mm ϕ (REF: No. 10) AT 400mm HORIZONTAL CENTRES. SCREWS SHOULD BE INSTALLED 30mm FROM TOP OF CEILING JOISTS.