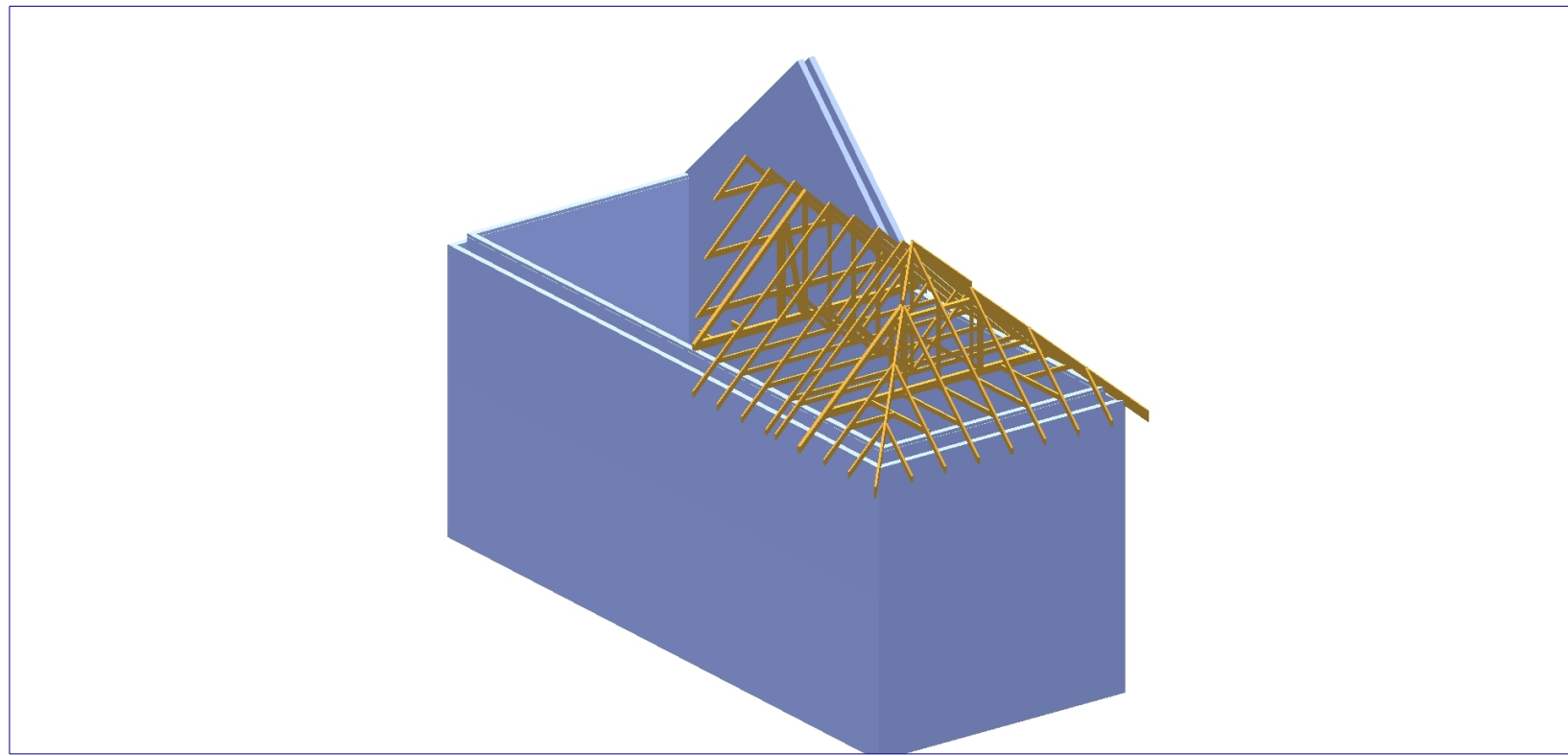
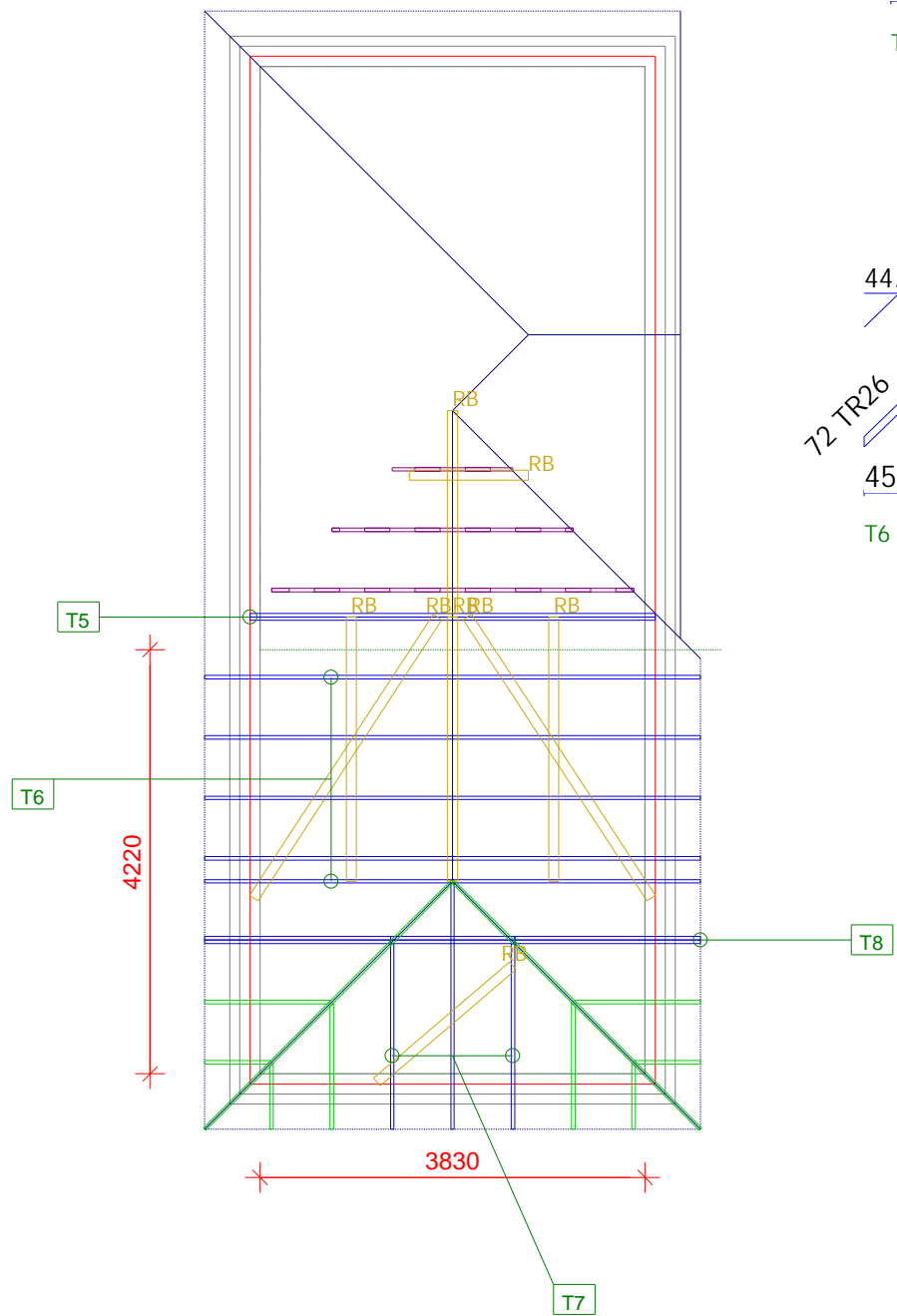


- TC38 22 OFF 38mm Truss Clip. (TC38)
- T4x3 T6x10 T7x3 T9x1 T10x5
- FAS 10 OFF Framing Anchor. (FAS)
- T5x4 T8x4 T9x2
- TM38 8 OFF 38mm Midi Shoe. (TM38)
- TS38 12 OFF 38mm Truss Shoe. (TS38)
- T4x3 T9x1 T7x3 T10x5
- TS75 1 OFF 75mm Truss Shoe. (TS75)
- T9x1

ROOF PROFILE OUTSIDE SCOPE OF
BS 5268 STANDARD BRACING
WARNING - UNSUPPORTED WALL LENGTH > 9M

THIS INFORMATION IS SUPPLIED IN GOOD
FAITH BUT WITHOUT LIABILITY. IT IS THE
BUILDING DESIGNERS RESPONSIBILITY TO
ENSURE THE STABILITY OF THE OVERALL
STRUCTURE.



- Group No1
- Jack Rafters : 35x 72 T26
 - Hip Boards : 35x147 T26
 - Ceiling Joists : 35x 84 T26

Bracing Colours
Rafter Bracing (RB) _____
C/Tie Bracing (CB) _____